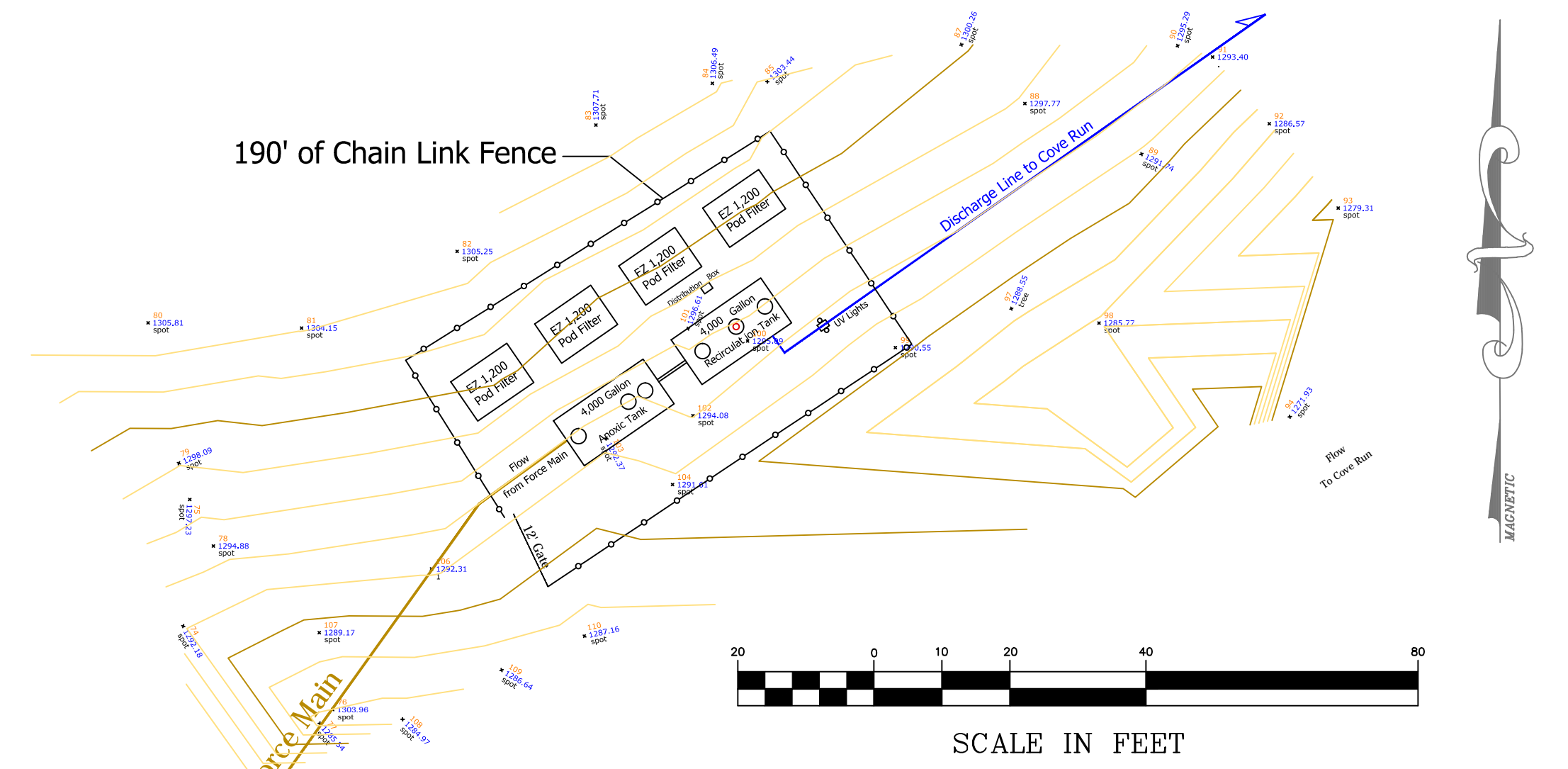
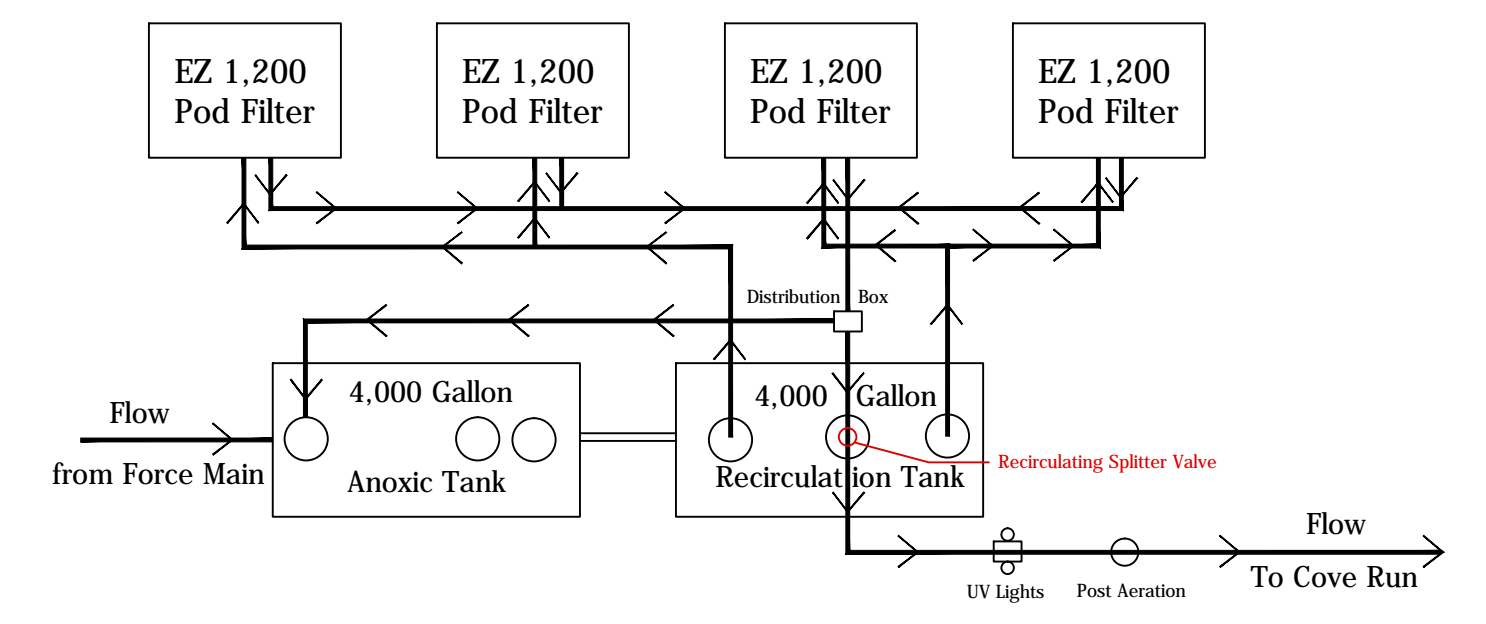


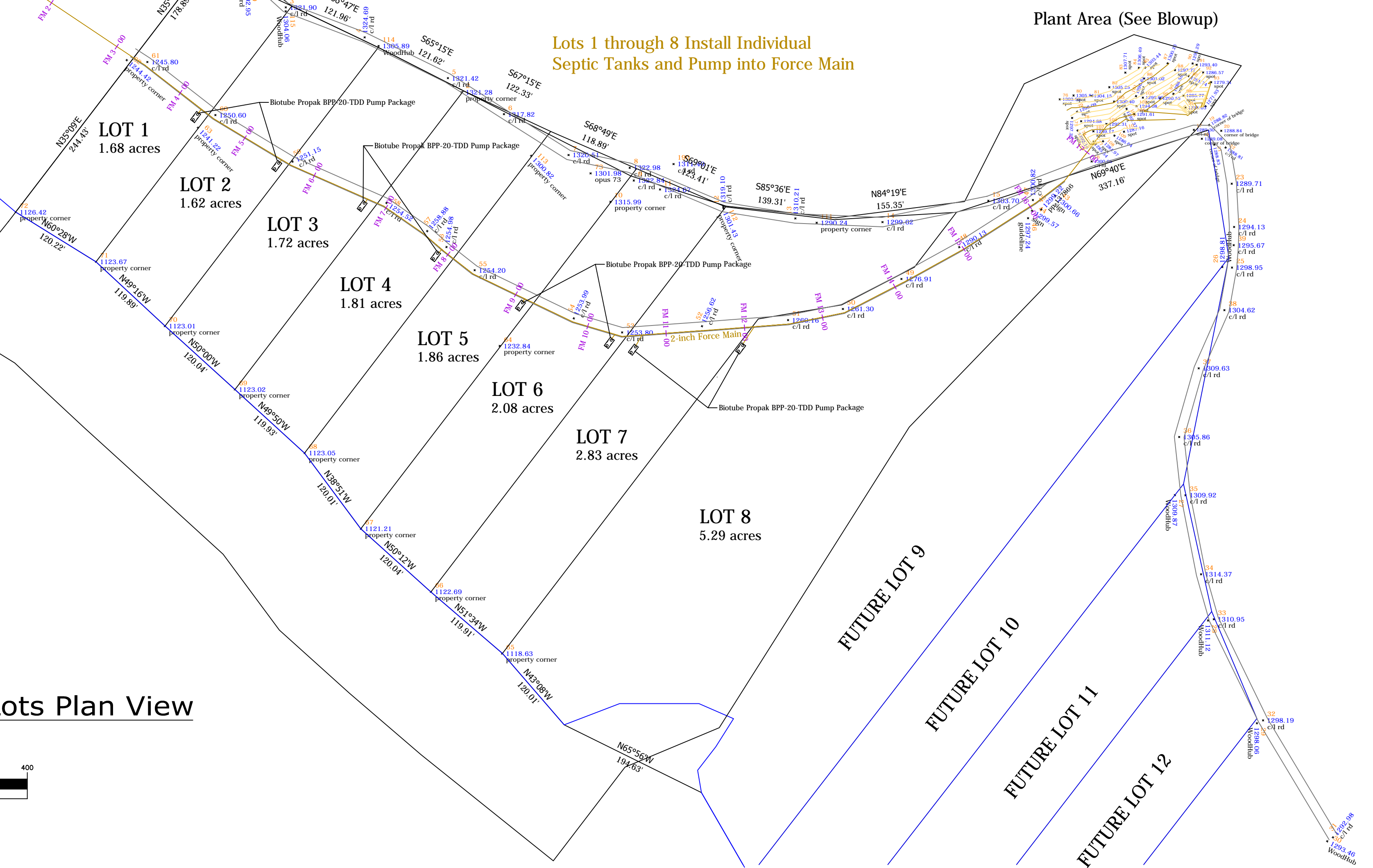
Sewer Profile and Force Main Profiles



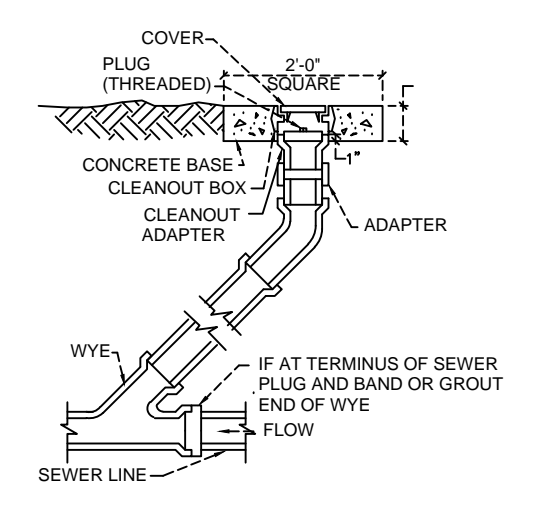
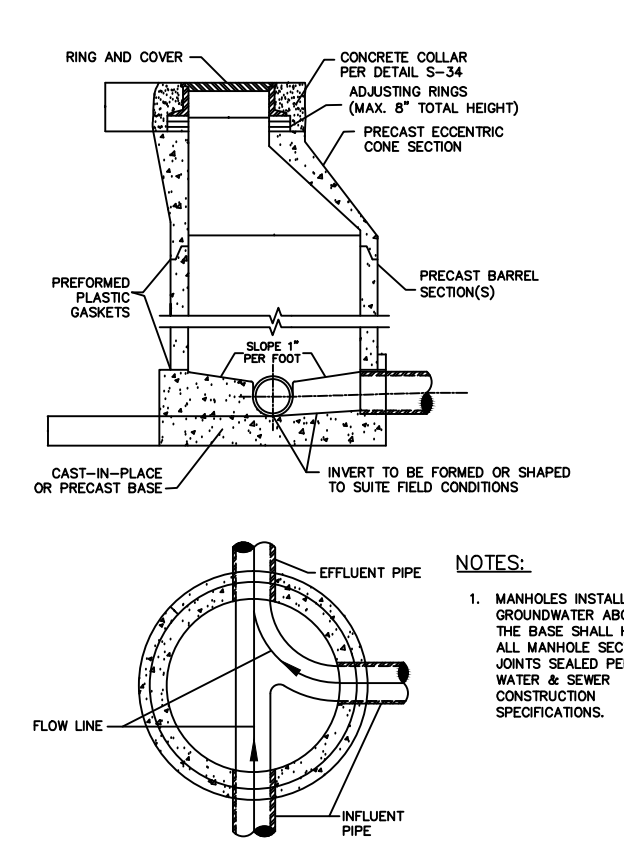
Sewage Treatment Plant Plan View



Sewage Treatment Plant Flow Schematic



Residential Lots and Recreational Lots Plan View



MANHOLE DETAIL

CLEANOUT DETAIL

Cove Run Club LLC Sewage System Cove District, Barbour County, West Virginia			
Green Engineering Inc. 9154 Morgantown Pike Phillippi, West Virginia 26416 Telephone: 304-457-3441		Sewage System Plan View And Schematic	
REVISION DATES			
Jan. 19, 2017			
Feb. 27, 2017	FIELD SURVEY BY MG and NC	DRAWN BY AC	SCALE OF MAP As Noted
	PLOTTED BY HP	CHECKED BY MG	PROJECT NUMBER 2016-BR29
	DATE OF MAP Dec. 6, 2016	FINAL APPROVAL BY WV Health Dept.	SHEET 2 OF 4